

# AC/DC Power Supply

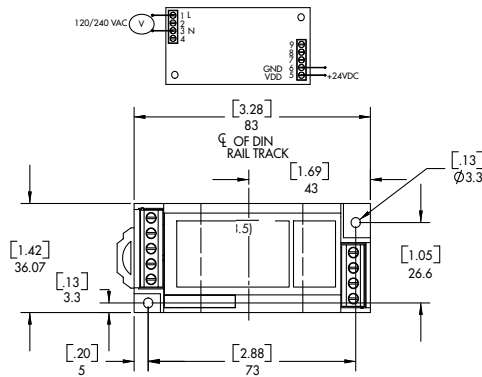


The **CRPS24VDC** Series Power supplies are designed to meter CR Magnetics digital and analog transducers. These switched mode power supplies are compact and efficient with a modern clean looking case.

## Features

- 35mm DIN Rail or Panel Mount
- Available with 120VAC/VDC and 240VAC/VDC
- Input 24 VDC Powered
- Use with CR Magnetics Transducers
- Highest precision available
- Connection diagram printed on case

## Regulatory Agencies



## CONNECTION DIAGRAM

## Specifications

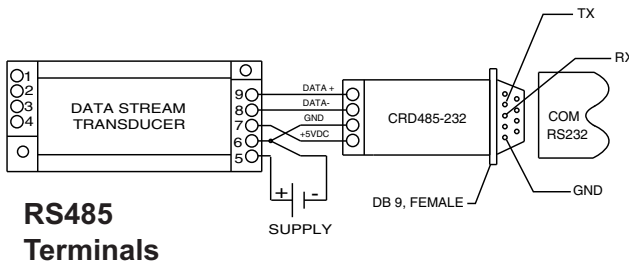
Input Voltage	120V,240V±10% 50/60Hz
Rated Output	400mA
Output Voltage	+24VDC
Output Ripple	15 mV @ Full Load

## PART NUMBERS

CRPS24VDC	-		Power Supply
-----------	---	--	--------------

- 120 - 120V Power Supply
  - 240 - 240V Power Supply
- with 24 VDC Output

**CRD485-232**  
RS485 to RS232 Converter Accessory  
Connect PC to RS485 Bus



Data Stream